

# SCENIC DETAILS®

## FLAT BED & TRACTOR (DIAMOND T) D244



### GENERAL INSTRUCTIONS

**Clean and Fit Castings** - Castings have parting lines, flash and stems that should be removed. Scrape off with a hobby knife, file or sand. If Castings do not align properly, fit them by removing metal with a hobby knife or file. Castings are somewhat brittle and should be handled carefully. If Castings are bent or warped, straighten them by placing on a flat surface and pushing down high areas. Prior to gluing and painting, wash Castings in warm, soapy water, rinse and let dry.

**Glue Castings** - Glue Castings with cyanoacrylate adhesive (CA glue /super glue) or a fast-setting epoxy.

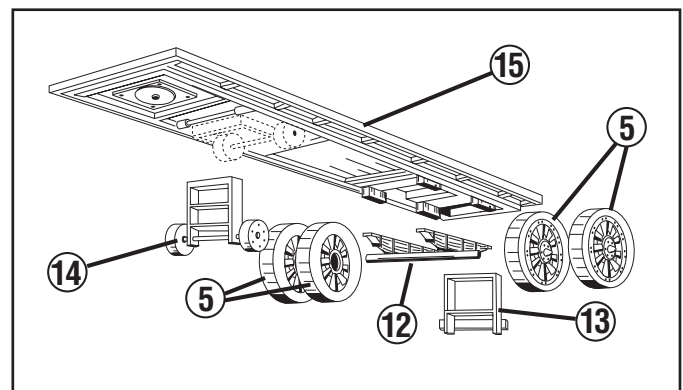
**Prime and Paint Castings** - Prime all Castings and let dry. If primer beads on Casting, touch paintbrush to a bar of wet soap and then dip in paint. This will help break surface tension of paint, allowing it to adhere to the casting. We recommend painting Castings with the Mini-Scene® Paint Set (M125). It includes detailed instructions on painting and weathering. High quality, matte hobby paints will also work. Plan ahead. It is often easier to paint Castings prior to assembly. Scrape paint from glue points.

### INSTRUCTIONS

Read General Instructions before beginning.

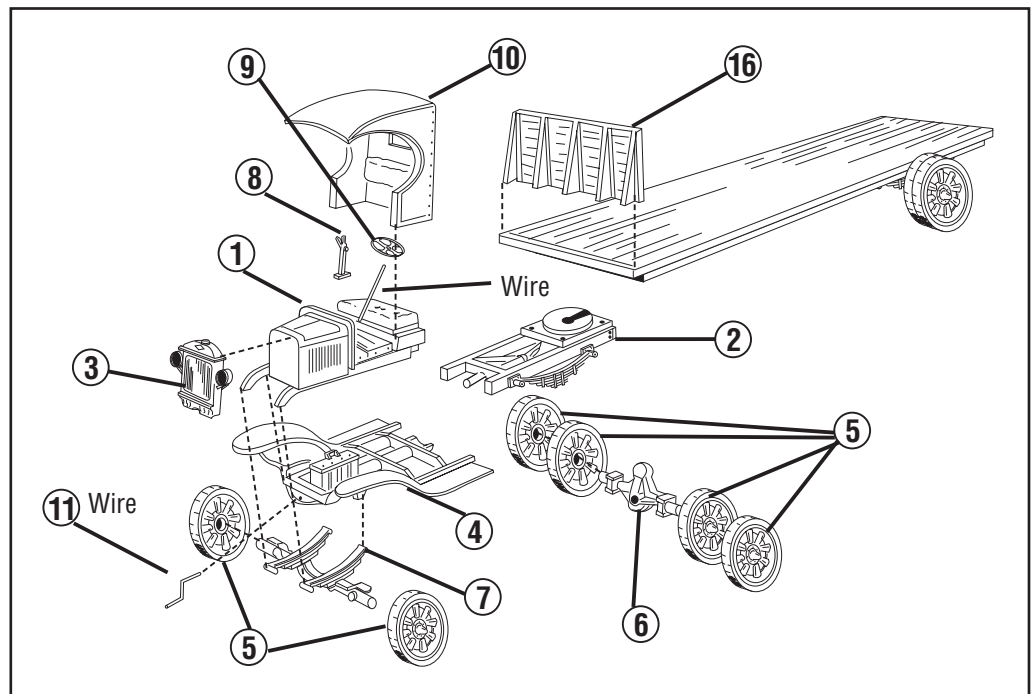
#### Flat Bed Trailer Assembly

1. Assemble double wheel sets (Part 5) to Part 12. Excess axle may need trimmed.
2. Assemble Parts 12, 13, 14 to Part 15. **NOTE:** If trailer is not attached to tractor, Part 14 should be in the down position (as indicated in illustration). If used with tractor, Part 14 should be in the up position as indicated in the photo.
3. Glue Part 16 to trailer assembly.
4. Pallets and cargo are provided as a load (see photo for example placement).



#### Flat Bed and Tractor (Diamond T)

1. Clean and fit all Castings.
2. Assemble Parts 1-4 in numerical order (the frame on Parts 1 and 2 should be in straight alignment).
3. Assemble four sets of double wheels (Part 5).
4. Glue two sets of double wheels to Part 6 and two single wheels to Part 7 (excess axle length may need trimming).
5. Glue axle assemblies (5, 7 and 5, 6) to frame.
6. Make steering column with 1/4" (6.35 mm) piece of wire and glue to Part 9 and indentation on floorboard.
7. Glue Part 8 to Part 1.
8. Glue cab Part 10 to Part 1.
9. If desired, make crank (Part 11) with wire and glue to notch on Part 4.



**CAUTION:** Cutting tools recommended. Use with care.

**MODELING AND CARE INFORMATION** This kit suggests the use of materials that may stain or cause damage. Take care to cover project area and clothing appropriately. Follow recommendations for use and cleanup.

Model making product. Not a toy! Not suitable for children under 14 years! / Produit pour le modélisme. Pas un jouet! Pas adapté aux enfants de moins de 14 ans! / Producto para modelismo. No es un juguete! No adecuado para niños menores de 14 años! / Modellbauartikel. Kein Spielzeug! Nicht geeignet für Kinder unter 14!