

Add color, interest and authenticity to any layout with finely crafted HO scale vintage details. Scenic Details® are lead-free metal castings, easy to assemble and fun to paint.

Step-by-step instructions are included in each kit. To assemble, use super glue or fast-setting epoxy. To paint, use Mini-Scene® Paint Set (M125).

Other HO scale scene reproductions include Trackage Scenes™, Complete Scenes™ and Mini-Scene®.

For more information and to learn more tips and techniques, read *The Scenery Manual (C1207)* or visit woodlandscenics.com.

GENERAL INSTRUCTIONS

Clean and Fit Castings - Castings have parting lines, flash and stems that should be removed. Scrap off with a hobby knife, file or sand. If Castings do not align properly, fit them by removing metal with a hobby knife or file. Castings are somewhat brittle and should be handled carefully. If Castings are bent or warped, straighten by placing on flat surface and pushing down high areas. Prior to gluing and painting, wash Castings in warm, soapy water, rinse and let dry.

Glue Castings - Glue Castings with cyanoacrylate glue (super glue) or a fast-setting epoxy. We recommend super glue.

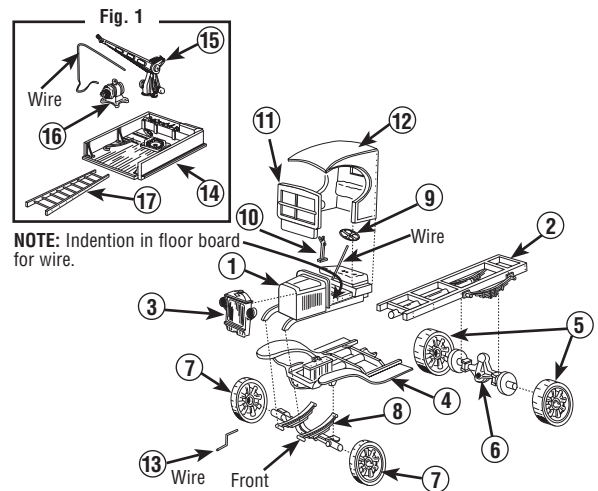
Paint Castings - We recommend painting Castings with the Mini-Scene® Paint Set (M125). It includes detailed instructions on painting and weathering. High-quality, flat hobby paints will also work. Plan ahead. It is often easier to pre-paint Castings. Scrape paint from glue points prior to assembly.

INSTRUCTIONS

SERVICE TRUCK (1914 DIAMOND T) - D217

Read General Instructions before assembly.

1. Clean and fit castings.
2. Assemble Parts 1-4 in numerical order.
3. Assemble Parts 5 and 6 and Parts 7 and 8.
NOTE: Wide tires go on the rear axle. File pin on rear axle until spokes contact brake drum.
4. Glue wheel, axle assemblies (5, 6 and 7, 8) to frame.
5. Make steering column with 1/4" piece of wire and glue to Part 9 and in the hole on floorboard.
6. Glue Part 10 to the middle of floorboard.
7. Glue Part 11 to inside of firewall on Part 1 and glue Part 12 to Parts 1 and 11.
8. If desired make a crank (#13) with wire and glue to notch in Part 3.
9. Glue Parts 15-17 to Part 14 (Fig. 1).
10. Cut and glue wire to Parts 15 and 16.
11. Glue bed assembly to frame.



Conforms to Health Requirements of ASTM D4236

CAUTION: Tools recommended.
Use with care.

This item is not a Children's Product and is not intended for use by Children.

MODELING AND CARE INFORMATION: This kit suggests the use of materials that may stain or cause damage. Take care to cover project area and clothing appropriately. Follow recommendations for use and clean up.

Made in USA B5 ©1995 O CO

Window and Decal Application Instructions



INSTRUCTIONS

Read through all instructions before beginning. Sections of these instructions are not applicable to all kits.

WINDOW MATERIAL

Cut Window Material to fit over windows on inside of building. Window installation is easier when material is installed over sections of windows at one time. Cut Window Material slightly larger than opening to make installation easier. **NOTE:** Some window frames are recessed and require window material be cut to exact size.

WINDOW DECALS

Apply Decals before installing Window Material. Place Window Material behind window opening and mark outline by scoring lightly. Clean Window Material with alcohol. Position Decal in desired location and transfer as instructed (see Decal Application).

DECAL APPLICATION

Keep Decal Sheet clean and free of dust. Apply to clean, dry and dust free surfaces. Cut out desired decal. To transfer, hold carrier sheet securely and rub with Burnisher (DT600) or a dull pencil. Work from one side of the Decal to the other. The image will appear to fade as it transfers. For maximum adhesion, place the backing paper over decal and burnish again. See photo on front of instruction sheet for suggested placement of Decals.

INSTALL WINDOWS

Window Material should be installed after all painting is completed. We recommend gluing windows with white glue or super glue. Apply glue around edges of Window Material. Be careful to not get glue on visible areas. If using super glue, apply a tiny amount around edges of window material only, as clouding can occur.

APPLICATION TIPS

Plan ahead. It is sometimes easier to apply Decals prior to assembly. When applying to a textured surface, rub Decal gently with a fingertip or soft eraser to press into the recesses of the texture.